

ICAO – INSTRUMENT APPROACH CHART

WARNING: During HN \pm 30 min circling and landing for RWY02 is forbidden.
WARNING: LLZ signal coverage reduced to 18NM from the station.

APP *Alghero Approach* TWR *Alghero Tower*

128.55

118.85

AD ELEV

87

LINEA

ALGHERO/ FERTILIA

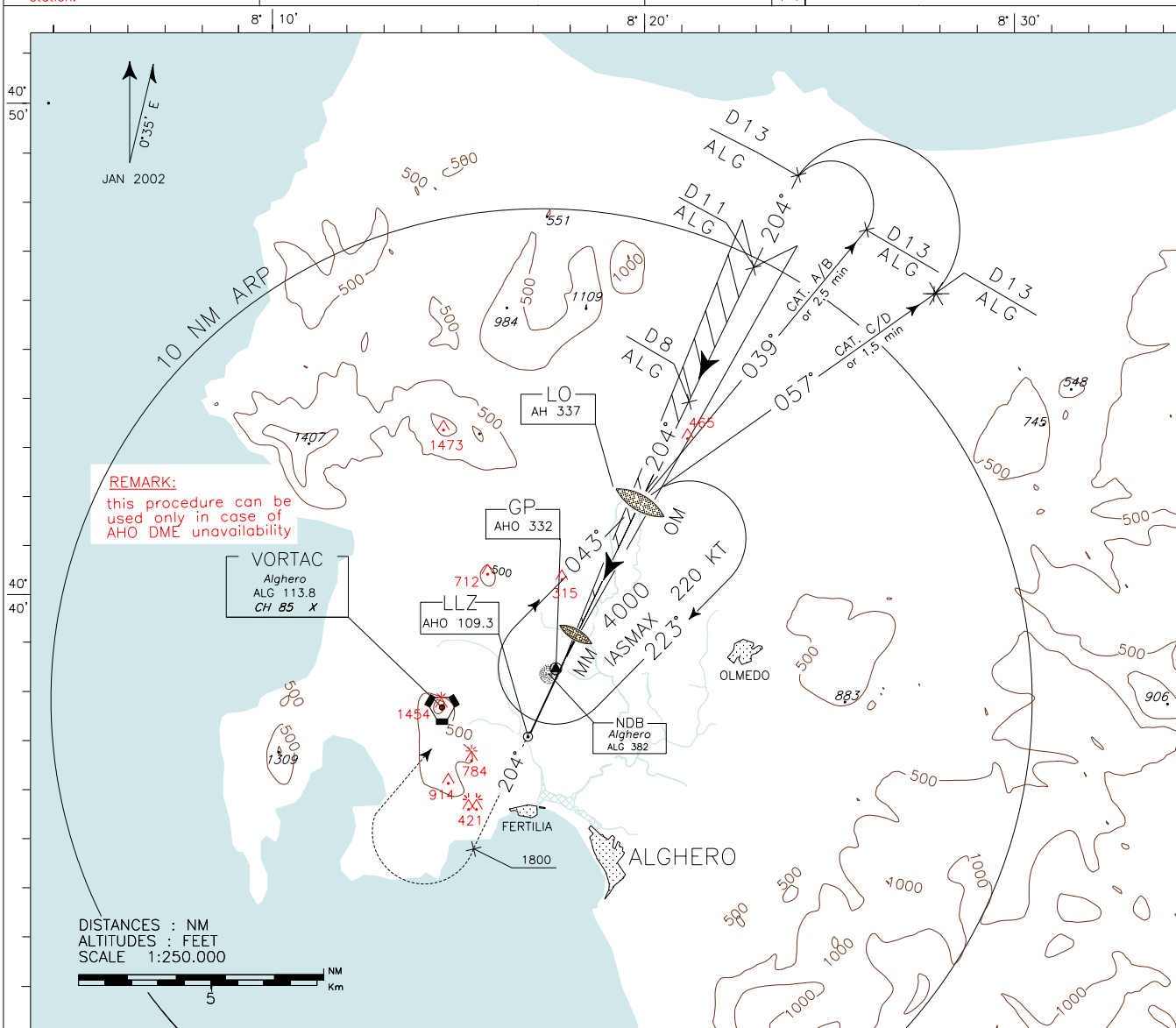
ALG

ILS+DME T

RWY20

DOC 8168 ED 4 – 1993 AMD 10

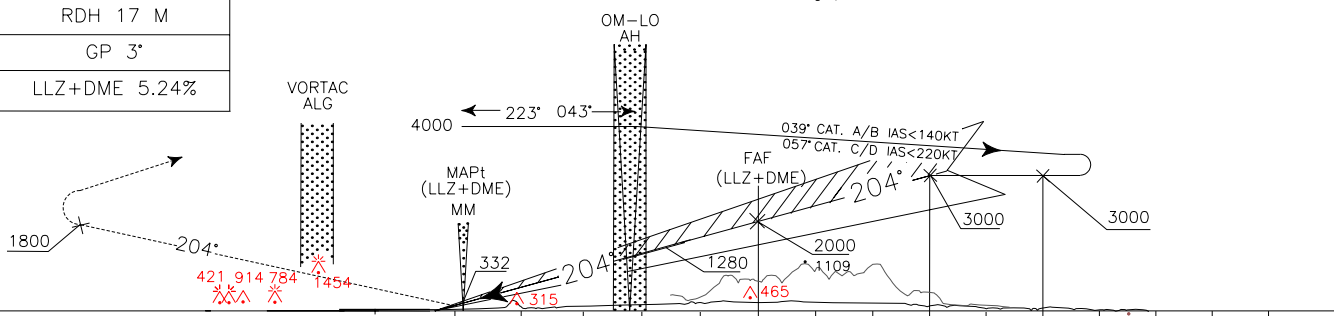
CHANGE: NEW RWY IDENTIFICATION.



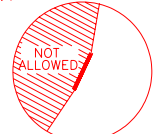
REMARK:
 this procedure can be used only in case of AHO DME unavailability

DISTANCES : NM
 ALTITUDES : FEET
 SCALE 1:250.000

TRANSITION ALT 5000
MISSED APPROACH: Proceed on track 204° climbing to 3000 FT. Passing 1800 FT turn right to AH LO to be reached at 3000 FT. Holding pattern IAS MAX 220KT.



ALG TAC THR ELEV 87 FT 3 4 5 6 7 8 9 10 11 12 13 14 15 16 17 **ALG TAC**

OCA(OCH)		A	B	C	D	WARNING: Due to obstacles not lighted S/W of the A/D circling allowed only strictly EAST of the RWY 	FT PER MIN	GS	FAF-MAPT	MAPt-THR	DME ALG	ALT (HGT)	MNM SECT ALT
STRAIGHT IN APPROACH	ILS	445(358)	455(368)	465(378)	475(388)		425	80	3 : 57	0 : 27	8	2000 (1913)	LO
	LLZ+DME	600 (513)					531	100	3 : 10	0 : 21	7	1670 (1583)	AH
	CIRCLING only east of RWY		700 (613)	900(813)	1200(1113)		637	120	2 : 38	0 : 18	6	1340 (1253)	
							743	140	2 : 16	0 : 15	5	1000 (913)	
					849	160	1 : 59	0 : 13	4	650 (563)			
					955	180	1 : 45	0 : 12	3	277(190)			

